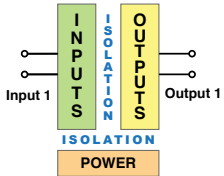




# Leopard TLF-IF08 Line Frequency Transmitter

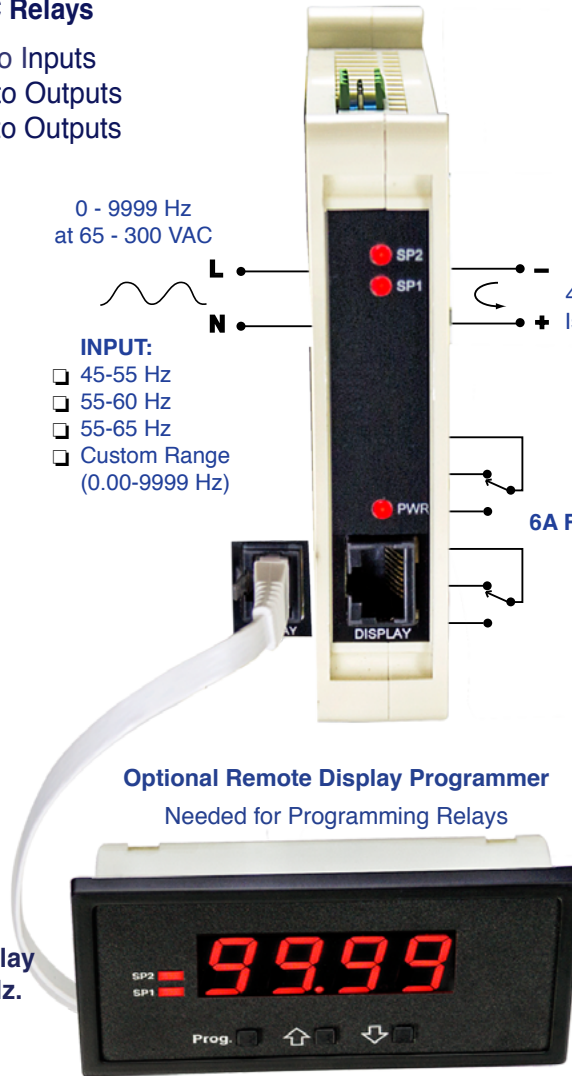
- ▶ **Compact, 22.5mm, DIN Rail Mount Transmitter**
- ▶ **Accurately convert frequency to 4-20mA or 0-10 VDC on a range of 0.00 to 9999 Hz, 65 to 300VAC Line.**
- ▶ **Two optional 6A FormC Relays**
- ▶ **Triple Isolated:** Power to Inputs  
Power to Outputs  
Inputs to Outputs



0 - 9999 Hz  
at 65 - 300 VAC



- INPUT:**
- 45-55 Hz
  - 55-60 Hz
  - 55-65 Hz
  - Custom Range (0.00-9999 Hz)



**Optional Remote Display Programmer**  
Needed for Programming Relays

**Resolution only when display is used; from .99 Hz to 1 Hz.**

- OUTPUT**
- Active 4-20mA
  - Isolated 4-20mA
  - 0-10V

**SP1**  
 Optional Relay

**6A Form C Relays**

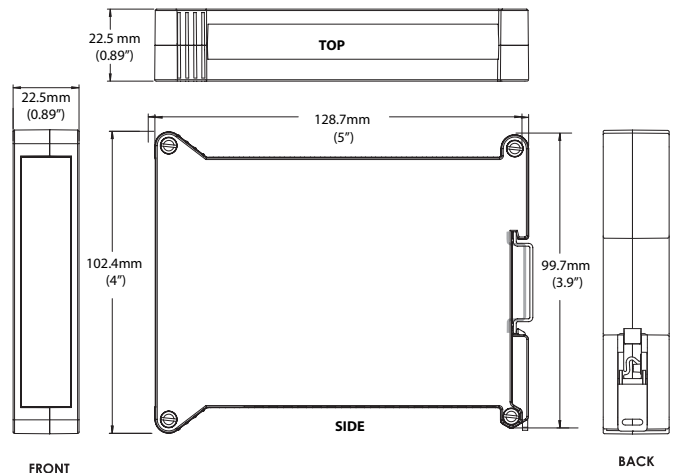
**SP2**  
 Optional Relay

**POWER SUPPLY**

- PS2**  15 to 48 VAC 3.5W  
50-400 Hz  
Fuse Not Replaceable  
10 to 72 VDC 3.5W
- PS1**  85 to 265 VAC 3.5W  
50-400 Hz  
95 to 300 VDC 3.5W



**CASE DIMENSIONS**



**TLF-IF08 . . Line Frequency.....\$189**

▶ **POWER SUPPLY**

**PS1 . . . . . 85-265VAC/95-300VDC .....\$0**  
**PS2 . . . . . 15-48VAC/10-72VDC .....\$35**

▶ **RELAY OUTPUT**

**R11 . . Single 9A Form C Relay .....\$40**  
**R12 . . Dual 9A Form C Relays .....\$75**

**Short Depth 96x48 Remote Display/Programmer Kit**  
**OP-TL/RDISP . . Remote Display/Programmer**  
**w/Cable and Belt clip Carrying Case .....\$75**



- For ordering info call: 1-800-TEXMATE or 760 598-9899
  - Email: orders@texmate.com • Fax: (760) 598-9828
  - For tech assistance call: (760) 598-9899
- 450 State Place, Escondido, CA 92029